



PRODUCT TECHNICAL DATA SHEET

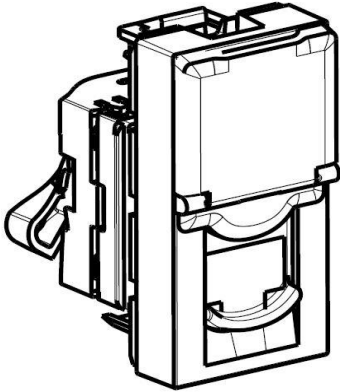
Myrius™

Ref . No. : 679264

RJ45 Cat 5e UTP

Date : 11/05/2020

Rev.1



1. USE

Data Socket outlet.

2.Type

RJ45 Cat 5e UTP

No. of modules : 1

Colour : White

Mounting : Flush and Surface -mounted

3.OVERALL DIMENSIONS

Width : 22.5 mm

Height :45 mm

Depth :35 mm

Weight (g) : 30

4.CONNECTION

Rapid connection socket , UTP 8 contacts

5.OPERATION

Socket with shutter

For product installation refer instruction sheet LE03601AA

6.TECHNICAL CHARACTERISTICS

6.1 Material Characteristics

Label Holder : Polycarbonate Transparent

Label : Paper

Face plate : Polycarbonate

Spring : Stainless Steel

Shutter : Polycarbonate Transparent

6.2 Electricals Characteristics

Self - extinguishing : 850° C / 30 s.

7.CONFORMITY - APPROVALS

Legrand Standard